

Cam-Lok® F Series



All Cam-Lok part numbers available in convenient, single-use, color-coded packaging.

	MALE PLUG				FEMALE PLUG		
	CABLE SIZE	COLOR	COMPLETE PART NO.	INSULATOR PART NO.	COMPLETE PART NO.	INSULATOR PART NO.	RETAINING PIN PART NO.
SET SCREW	#2-1/0	Red	E1012-61	201281-612RM	N/A	N/A	100091-4
	#2-1/0	Black	E1012-62	201281-612BM	N/A	N/A	100091-4
	1/0-3/0	Red	E1012-63	201281-712RM	E1012-71	201281-712RF	100091-5
	1/0-3/0	Black	E1012-64	201281-712BM	E1012-72	201281-712BF	100091-5
	3/0-4/0	Red	E1012-65	201281-812RM	E1012-73	201281-812RF	100091-6
	3/0-4/0	Black	E1012-66	201281-812BM	E1012-74	201281-812BF	100091-6

	MALE PLUG				FEMALE PLUG		
	CABLE SIZE	COLOR	COMPLETE PART NO.	INSULATOR PART NO.	COMPLETE PART NO.	INSULATOR PART NO.	RETAINING PIN PART NO.
SOLDER	#2-1/0	Red	E1012-101	201281-612RM	N/A	N/A	100091-4
	#2-1/0	Black	E1012-102	201281-612BM	N/A	N/A	100091-4
	1/0-3/0	Red	E1012-103	201281-712RM	E1012-111	201281-712RF	100091-5
	1/0-3/0	Black	E1012-104	201281-712BM	E1012-112	201281-712BF	100091-5
	3/0-4/0	Red	E1012-105	201281-812RM	E1012-113	201281-812RF	100091-6
	3/0-4/0	Black	E1012-106	201281-812BM	E1012-114	201281-812BF	100091-6

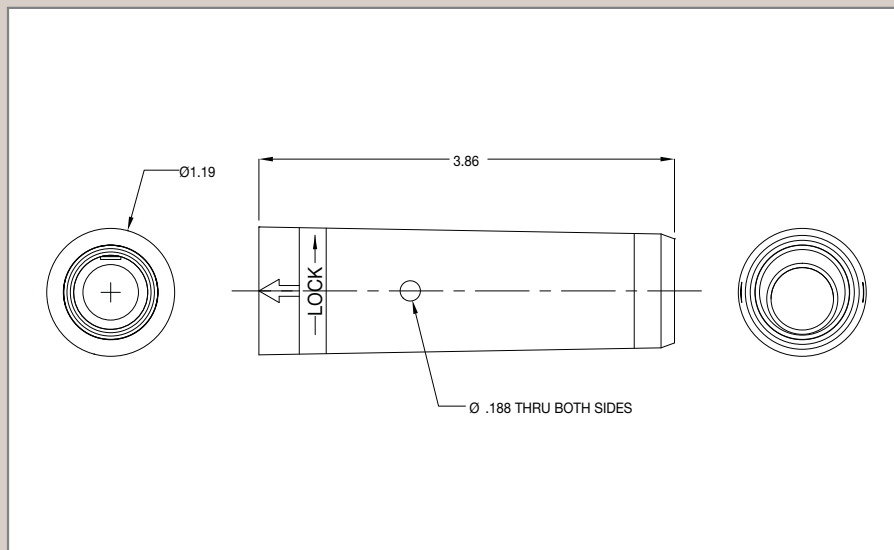


E1012-66 Male Receptacle

E1012 Series



E1012-101 Male Receptacle



F-SERIES CONNECTORS AND RECEPTACLES PROVIDE LONGER LIFE UNDER THE RIGORS OF HEAT TREATING AND STRESS RELIEVING APPLICATIONS. THEY ARE IDEAL FOR USE ON WELDING POWER SUPPLIES, DISTRIBUTION PANELS, AND PATCH PANELS, AS WELL AS HEAT TREATING AND STRESS RELIEVING APPLICATIONS.

RATINGS: 120 VOLTS UP TO 315 AMPERES CONTINUOUS, 550 AMPERES INTERMITTENT

**STANDARD MATERIALS
CABLE SIZE: #2 - 4/0
CONNECTOR SLEEVE: REINFORCED THERMOPLASTIC
CONTACT: BRASS**